

INTEGRATED CONNECTOR MODULES

10/100Base-TX MagJack® 2 x 6

0811-2X6R-28

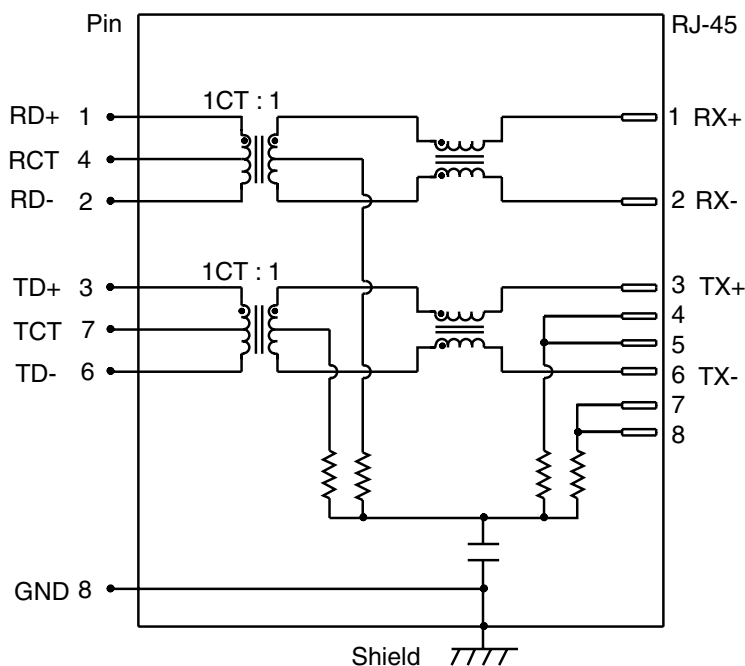
- 12-port shielded RJ-45 connector with integrated 10/100 magnetics
- Design supports AutoMDIX applications
- Compatible with a variety of 10/100 transceiver ICs
- Operating temperature 0° to +70° C
- Storage temperature -40° to +85° C
- Complies with IEEE standards and all 10/100 Ethernet specifications including 350µH with 8mA DC bias
- Highly integrated design conserves valuable board space
- Minimum interwinding breakdown voltage of 1500 Vrms
- Adaptable, modular design provides higher reliability

ELECTRICAL SPECIFICATIONS AT 25° C

Insertion Loss dB max	Return Loss dB min			Common to Differential Mode Rejection dB min	Common to Common Mode Rejection dB min	Crosstalk dB min
	100kHz to 100MHz	1MHz to 30MHz	30MHz to 60MHz			
-1.1	-18	18 - 20 log (f/30MHz)	-12	-40	-30	-35

SCHEMATIC

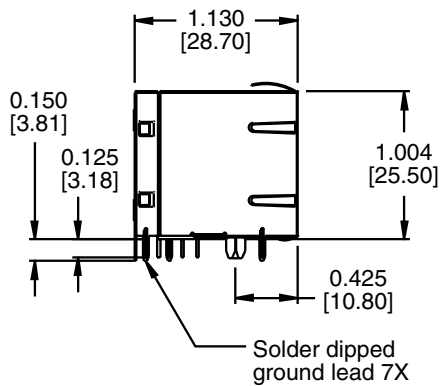
0811-2X6R-28



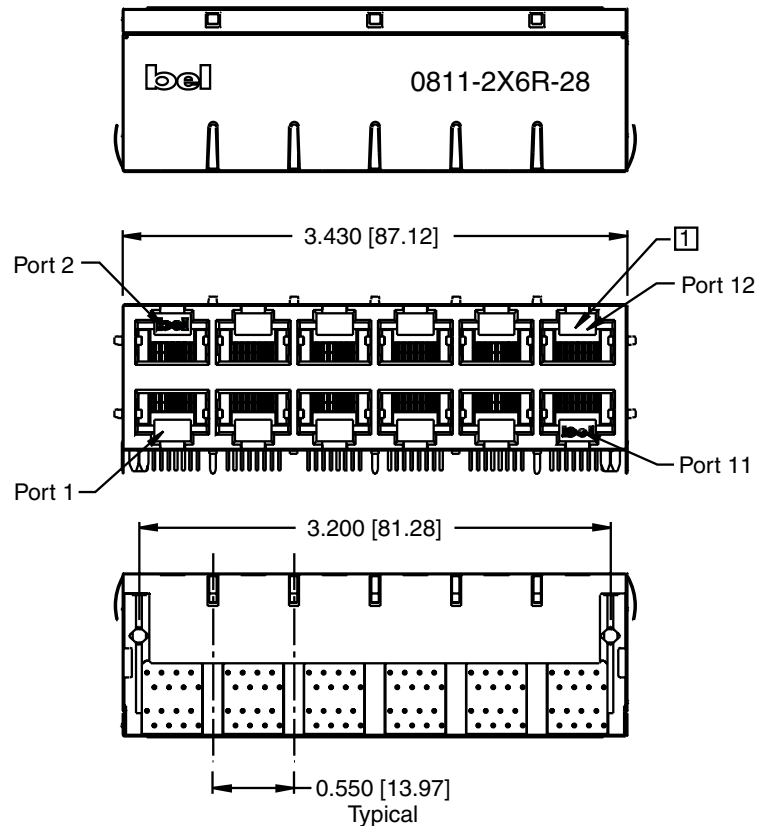
0811-2X6R-28

MECHANICAL

0811-2X6R-28



Dimensions are in inches [millimeters].
Standard dimension tolerance is ± 0.010 [0.25]
unless otherwise noted.



Notes

Plastic Housing	Thermoplastic, flammability rating UL 94V-0
Contacts	50 micro-inch hard gold plating
Pins	Tin-coated copper wire, DIA 0.018" [0.46]
Solderability	Per MIL Std. 202, Method 208
Metal Shield	Nickel plated copper alloy (all ground leads are solder dipped)

1. Jack cavity conforms to FCC rules and regulations, part 68, subpart F.

INTEGRATED CONNECTOR MODULES

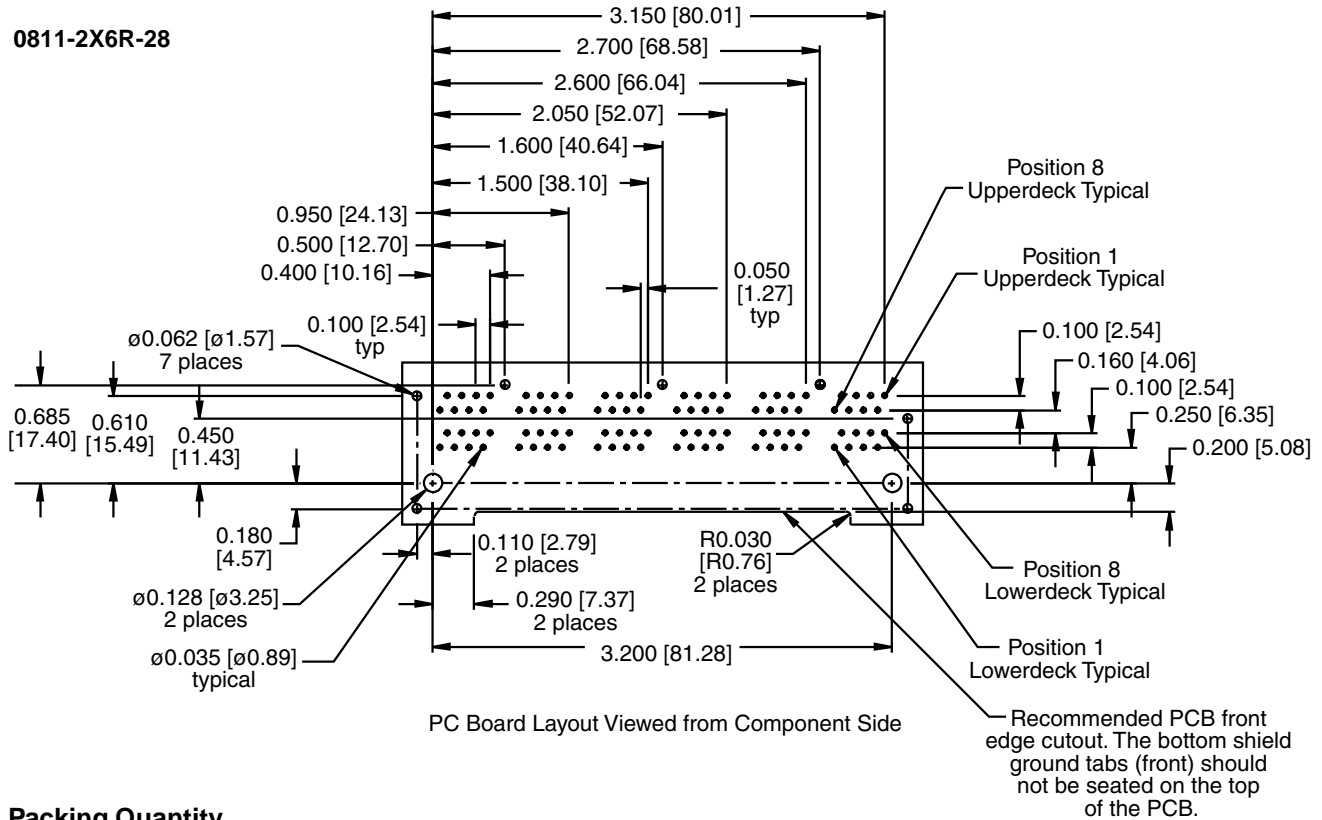
10/100Base-TX MagJack® 2 x 6



0811-2X6R-28

PAD LAYOUT

0811-2X6R-28

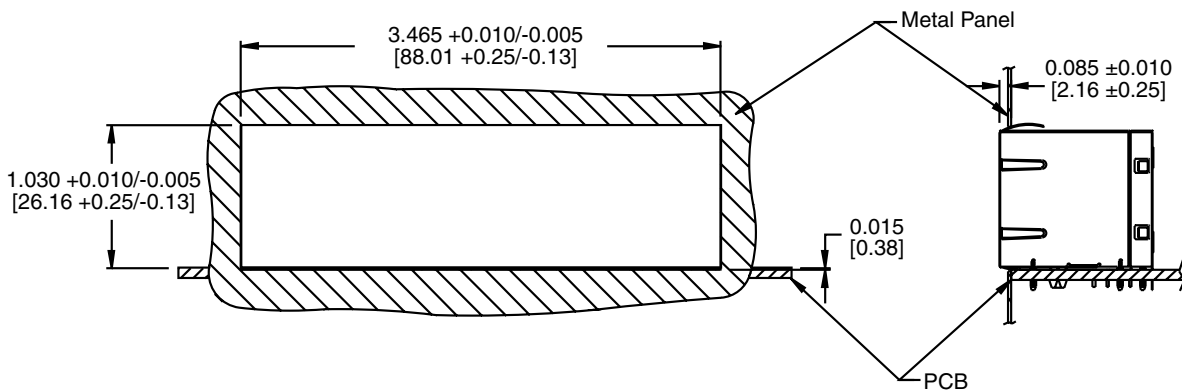


PC Board Layout Viewed from Component Side

Packing Quantity

15 pieces finished goods per tray
 7 trays per carton box for a total of
 105 pieces of finished goods

Suggested Panel Opening



©2004 Bel Fuse Inc. Specifications subject to change without notice. 03.04

CORPORATE

Bel Fuse Inc.
 206 Van Vorst Street
 Jersey City, NJ 07302
 Tel 201-432-0463
 Fax 201-432-9542
 www.belfuse.com

FAR EAST

Bel Fuse Ltd.
 8F / 8 Luk Hop Street
 San Po Kong
 Kowloon, Hong Kong
 Tel 852-2328-5515
 Fax 852-2352-3706
 www.belfuse.com

EUROPE

Bel Fuse Europe Ltd.
 Preston Technology Management Centre
 Marsh Lane, Suite G7, Preston
 Lancashire, PR1 8UD, U.K.
 Tel 44-1772-556601
 Fax 44-1772-888366
 www.belfuse.com